

# SPECTRALARM AB112STR

Sounder unit A112N

Maximum output: 119 dB(A) @ 1 m

Nominal output: 112 dB(A) @ 1 m - tone 2

45 alarm tones (UKO OA/PFEER compliant)

Xenon Strobe Flashing Beacon 5J @ 1 Hz

Three modes (DC only): Flashing 1Hz (default)

Flashing 1.5Hz (DC units Only)

Double Strike (DC Units Only),

Stage Switchable to Double

Strike (DC Units Only)

IP Rating: IP65

Temp: -25°C to +50°C

Unit weight: 2.1kg DC 2.4kg AC

CE

Dimensions : 168mm(w) x 318mm(h)

1.5mm<sup>2</sup> terminals

For Lens colour options

x = in order code to be replaced with required lens colour

R = Red A = Amber

B = Blue C = Clear

G = Green Y = Yellow

y = in order code to be replaced with required housing colour

G = Grey R = Red

Order code

Nominal voltage range

AB112STRDC12y/x 12VDC (10-15VDC)

Beacon 600mA Sounder 400mA @ 12VDC

AB112STRDC24y/x 24VDC (18-30VDC)

Beacon 300mA Sounder 200mA @ 24VDC

AB112STRDC48y/x 48VDC (36-60VDC)

Beacon 250mA Sounder 120mA @ 48VDC

AB112STRAC24y/x 24VAC (22-26VAC)

Beacon 300mA Sounder 500mA @ 24VAC

AB112STRAC115y/x 115VAC (103-127VAC)

Beacon 70mA Sounder 100mA @ 115VAC

AB112STRAC230y/x 230VAC (207-253VAC)

Beacon 35mA Sounder 60mA @ 230VAC

Example:- AB112STRDC24G/R

This example is for a

A112N sounder with strobe beacon

running on 24VDC

the housing is grey with a red lens.



**ATTENTION:** Installation must be carried out by an electrician in compliance with the latest codes and regulations.



**ATTENTION:** Disconnect from power source before installation or service to prevent electric shock.



**ATTENTION:** On strobe beacons allow a minimum of 2 minutes for hazardous high voltage to discharge from unit.



**ATTENTION:** Lens on unit will be hot allow to cool prior to removal.

## AB112STR Sounder Tone Settings Table

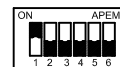
For switch settings please note:-

Where 1 is indicated the switch position is on.

Where 0 is indicated the switch position is off.

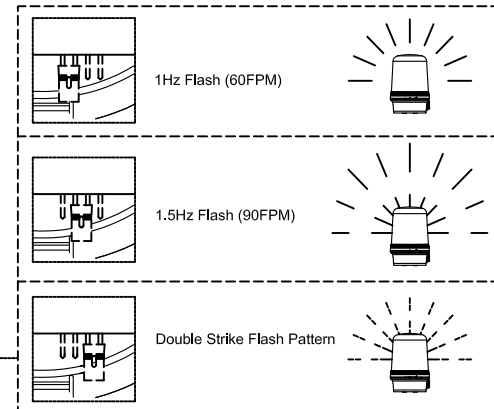
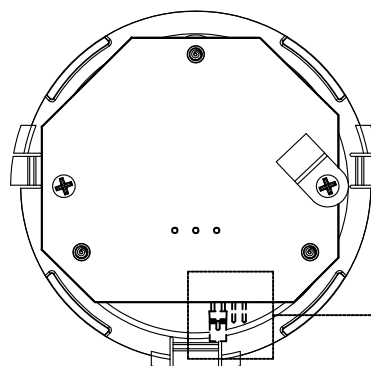
Example:-

Table shows 1 0 0 0 0 0  
Switch setting On Off Off Off Off Off

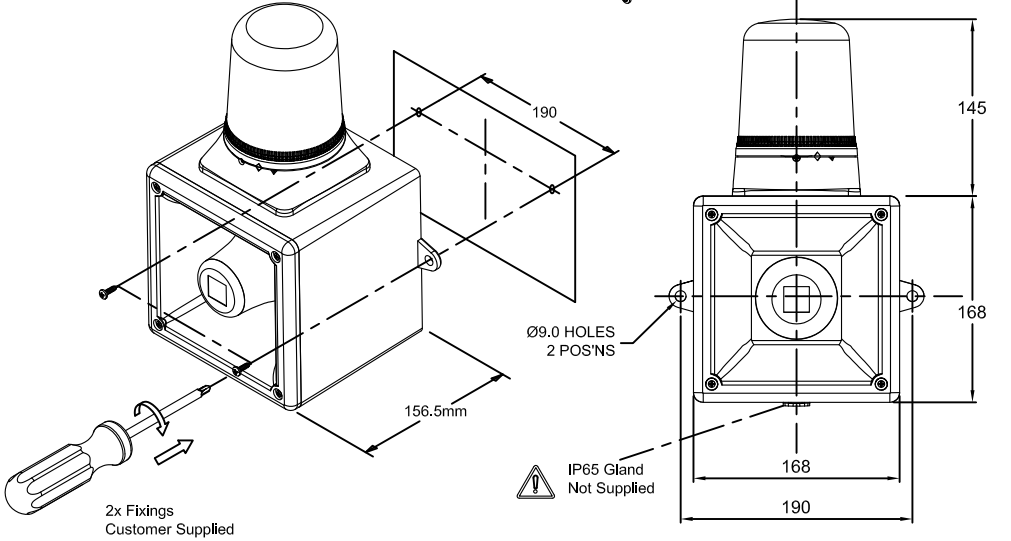
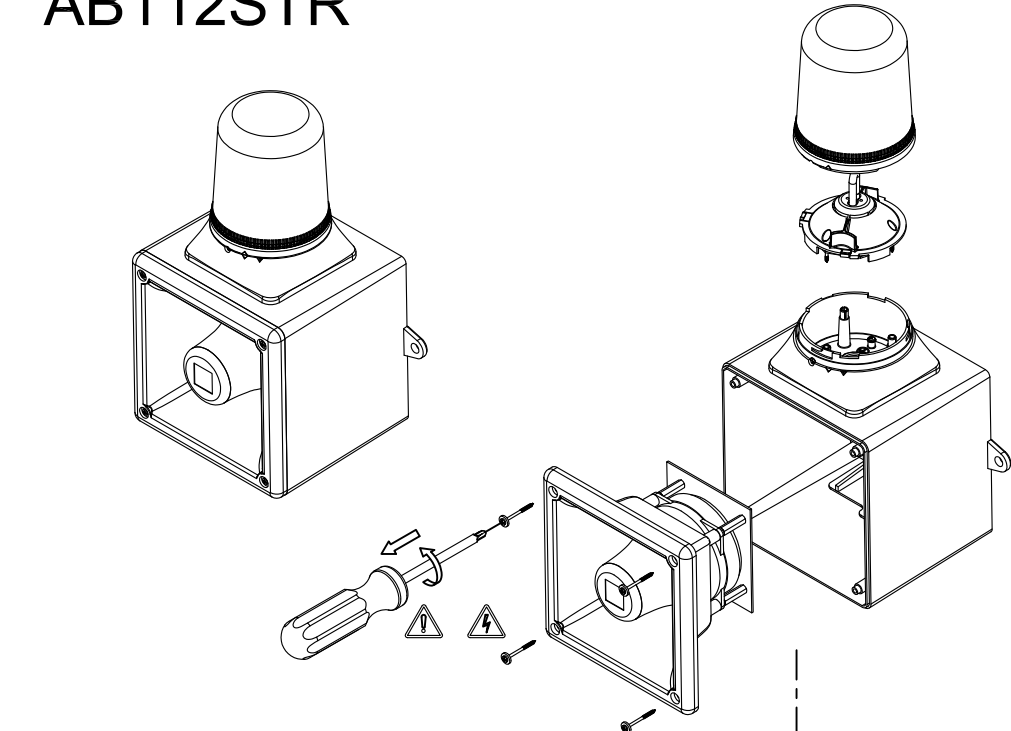


Stage 1	Frequency Description	Switch						Stage 2	Stage 3
		1	2	3	4	5	6		
1	340Hz Continuous	0	0	0	0	0	0	Tone 2	Tone 5
2	800/1000Hz @ 0.25 sec Alternating	1	0	0	0	0	0	Tone 17	Tone 5
3	500/1200Hz @ 0.3Hz sec Slow Whoop	0	1	0	0	0	0	Tone 2	Tone 5
4	800/1000Hz @ 1Hz Sweeping	1	1	0	0	0	0	Tone 6	Tone 5
5	2400Hz Continuous	0	0	1	0	0	0	Tone 3	Tone 20
6	2400/2900Hz @ 7Hz Sweeping	1	0	1	0	0	0	Tone 7	Tone 5
7	2400/2900Hz @ 1Hz Sweeping	0	1	1	0	0	0	Tone 10	Tone 5
8	500/1200/500Hz @ 0.3Hz Sweeping	1	1	1	0	0	0	Tone 2	Tone 5
9	1200/500Hz @ 1Hz - DIN PFEER P.T.A.P.	0	0	0	1	0	0	Tone 15	Tone 2
10	2400/2900Hz @ 2Hz Alternating	1	0	0	1	0	0	Tone 7	Tone 5
11	1000Hz @ 1Hz Intermittent	0	1	0	1	0	0	Tone 2	Tone 5
12	800/1000Hz @ 0.875Hz Alternating	1	1	0	1	0	0	Tone 4	Tone 5
13	2400Hz @ 1Hz Intermittent	0	0	1	1	0	0	Tone 15	Tone 5
14	800Hz 0.25 sec on, 1 sec off Intermittent	1	0	1	1	0	0	Tone 4	Tone 5
15	800Hz Continuous	0	1	1	1	0	0	Tone 2	Tone 5
16	660Hz 150mS on, 150mS off Intermittent	1	1	1	1	0	0	Tone 18	Tone 5
17	544Hz (100mS)/440 Hz (400mS) - NF S 32-001	0	0	0	0	1	0	Tone 2	Tone 27
18	680Hz 1.8 sec on, 1.8 sec off Intermittent	1	0	0	0	1	0	Tone 2	Tone 5
19	1.4KHz - 1.6KHz 1s, 1.6KHz - 1.4 KHz 0.5s - NFC48-265	0	1	0	0	1	0	Tone 2	Tone 5
20	660Hz Continuous	1	1	0	0	1	0	Tone 2	Tone 5
21	554Hz/440Hz @ 1Hz Alternating	0	0	1	0	1	0	Tone 2	Tone 5
22	544Hz @ 0.875 sec Intermittent	1	0	1	0	1	0	Tone 2	Tone 5
23	800Hz @ 2Hz Intermittent	0	1	1	0	1	0	Tone 6	Tone 5
24	800/1000Hz @ 50Hz Sweeping	1	1	1	0	1	0	Tone 29	Tone 5
25	2400/2900Hz @ 50Hz Sweeping	0	0	0	1	1	0	Tone 29	Tone 5
26	Bell	1	0	0	1	1	0	Tone 2	Tone 15
27	554Hz Continuous	0	0	1	0	1	0	Tone 26	Tone 5
28	440Hz Continuous	1	1	0	1	1	0	Tone 2	Tone 5
29	800/1000Hz @ 7Hz Sweeping	0	0	1	1	1	0	Tone 7	Tone 5
30	300Hz Continuous	1	0	1	1	1	0	Tone 2	Tone 5
31	660/1200Hz @ 1Hz Sweeping	0	1	1	1	1	0	Tone 26	Tone 5
32	Two tone chime	1	1	1	1	1	0	Tone 26	Tone 15
33	745Hz @ 1Hz Intermittent	0	0	0	0	0	1	Tone 2	Tone 5
34	1000 & 2000Hz @ 0.5 sec Alternating - Singapore	1	0	0	0	0	1	Tone 38	Tone 45
35	420Hz @ 0.625 Sec Australian Alert	0	1	0	0	0	1	Tone 36	Tone 5
36	500-1200Hz 3.75 sec /0.25 sec Australian Evac.	1	1	0	0	0	1	Tone 35	Tone 5
37	1000Hz Continuous - PFEER Toxic Gas	0	0	1	0	0	1	Tone 9	Tone 45
38	2000Hz Continuous	1	0	1	0	0	1	Tone 34	Tone 45
39	800Hz 0.25 sec on, 1 sec off Intermittent	0	1	1	0	0	1	Tone 23	Tone 17
40	544Hz (100mS)/440Hz (400mS) - NF S 32-001	1	1	1	0	0	1	Tone 31	Tone 27
41	Motor Siren - slow rise to 1200Hz	0	0	0	1	0	1	Tone 2	Tone 5
42	Motor Siren - slow rise to 800Hz	1	0	0	1	0	1	Tone 2	Tone 5
43	1200Hz Continuous	0	1	0	1	0	1	Tone 2	Tone 5
44	Motor Siren - slow rise to 2400Hz	1	1	0	1	0	1	Tone 2	Tone 5
45	1KHz 1s on, 1s off Intermittent - PFEER Gen. Alarm	0	0	1	1	0	1	Tone 38	Tone 34

### DC UNIT MODE SELECTION



# A SPECTRALARM AB112STR

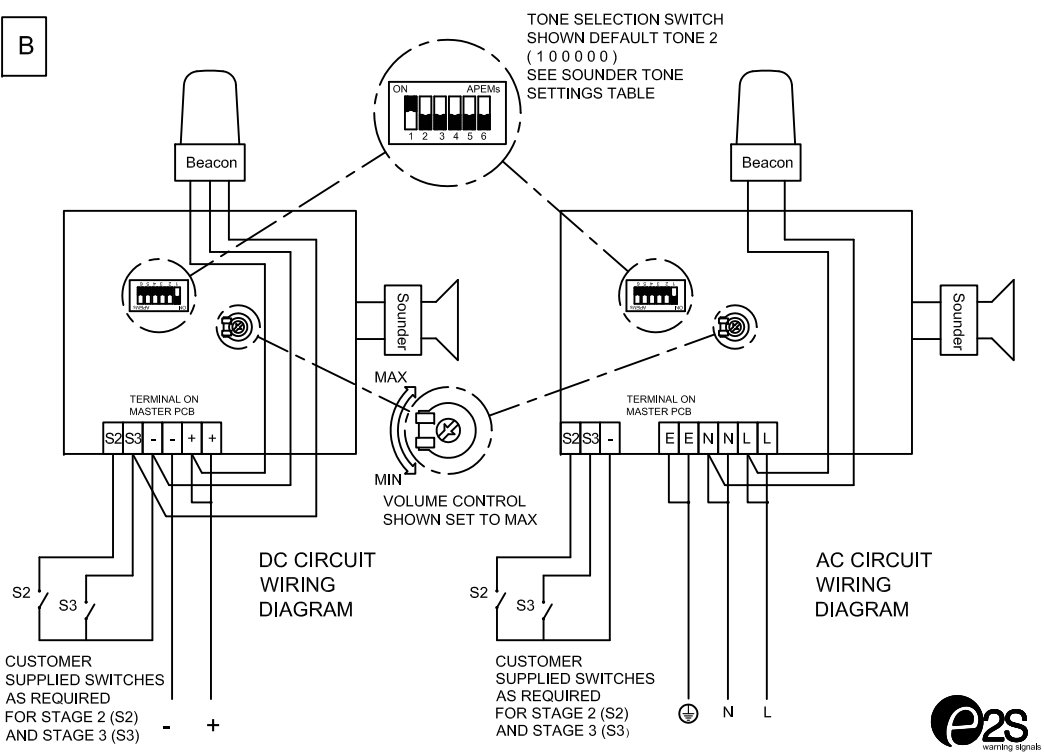


Dimensions in mm

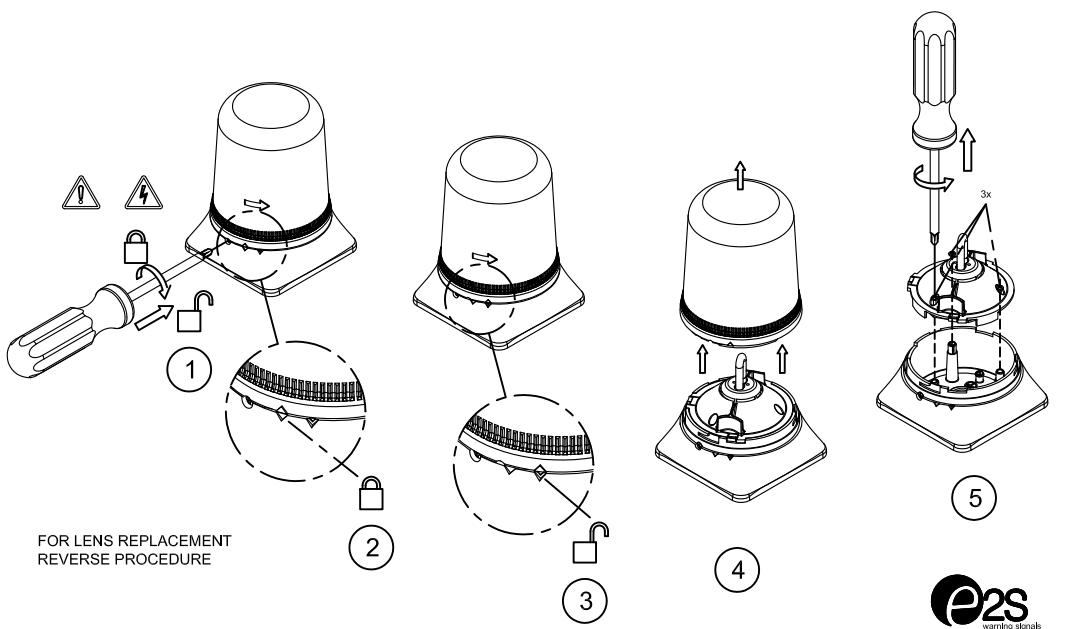
Tel : +44(0)20 8743 8880 Fax : +44(0)2 8740 4200  
mail : sales@e2s.com web : www.e2s.com



## B



## C



D118-00-501-IS\_SHT2\_ISSUE\_1