

H100TF Trumpet Horn & Filament Lamp Beacon

Rated for continuous use the H100 series is a compact, high output signal suitable for a variety of installations. In addition to the 'buzzer' type sound the unit features a further two alarm sounds.

The H100TF incorporates the H100T with a 5W flashing filament lamp beacon. It is available in six lens colours and operating voltages from 12V dc to 230V ac.

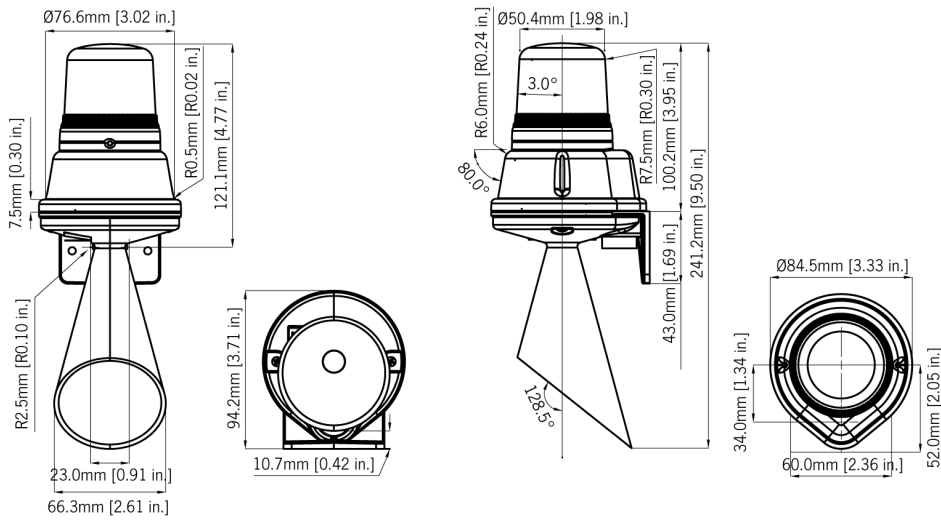
Features

- Volume control.
- Stainless steel fixings.
- Bayonet fixing lens.
- Anti-tamper locking screw.

Approvals

- GOST-R approved: POCC GB-JB05-H00144.





Specification

Horn:	
No. of tones:	3
Output:	100 dB(A) @ 1m
Beacon:	
Light source:	Filament lamp BA9s
Light output:	5W
Flash frequency:	1Hz
Candela:	2 cd* (peak/effective intensity)
Lens colours:	Amber, Blue, Clear, Green, Red & Yellow
Lens type:	Prismatic (standard) or plain
General:	
Dimensions:	241.2 × 94.2mm
Mounting:	Surface mount
Entries:	1 × 5-7mm push through grommet
Ingress protection:	IP65
Housing material:	High impact ABS (UL94V0 & 5VA)
Lens material:	High impact PC (UL94V0 f1)
Terminals:	0.5 to 1.5mm ²
Operating temp:	-25 to +50°C [-13° to +122°F]
Storage temp:	-40 to +70°C [-40° to +158°F]
Relative humidity:	90% at 20°C [68°F]
Weight:	219g/0.48lbs

*SPL data +/-3dB(A). Measured at optimum voltage.

*Candela measurements representative of performance with clear lens at optimum voltage.

Part Codes

Version:	Part code:
12V dc	H100TF012G/*
24V dc	H100TF024G/*
115V ac	H100TF115G/*
230V ac	H100TF230G/*

* = Lens colour: A: Amber, B: Blue, C: Clear, G: Green, R: Red, Y: Yellow

Horn Current Consumption

Version:	Voltage:	Current:
10-30V dc	12V dc	10mA
10-30V dc	24V dc	24mA
115V ac	115V ac 50/60Hz	19mA
230V ac	230V ac 50/60Hz	10mA

Beacon Current Consumption

Version:	Voltage:	Current:
12V dc		500mA
24V dc		250mA
115V ac	50/60Hz	35mA
230V ac	50/60Hz	25mA

Tone table

S 1 Description

T 1	800/1000Hz @ 7Hz Sweeping
T 2	Simulated buzzer sound
T 3	1200/500Hz @ 1Hz - DIN / PFEER P.T.A.P.