

1

# SPECTRA B200FLF

Flashing Beacon  
 5W @ 1Hz BA9s Filament bulb  
 IP Rating: IP65  
 Temp: -25°C to +50°C  
 Unit weight: 79g  
 CE

Dimensions : Ø60 x 80mm  
 2.5mm<sup>2</sup> terminals  
 Cable entry: 1 x 5-7mm push through  
 grommet

x = Lens colour  
 R = Red  
 B = Blue  
 Y = Yellow  
 A = Amber  
 G = Green  
 C = Clear

Order code Voltage  
 B200FLF012B/x 12V DC 500mA  
 B200FLF024B/x 24V DC 250mA  
 B200FLF048B/x 48V DC 120mA

Bulb Type BA9s

B200FLF115B/x 115V AC 35mA  
 B200FLF230B/x 230V AC 25mA  
 Mountings  
 B200RAB001 Right angle bracket  
 B200TMA001 Tube mounting assembly

E2S Part No. Version  
 BR10125B 12V 5W  
 BR10245B 24V 5W  
 BR10485B 48V 5W  
 BR101305B 115V 5W  
 BR102305B 230V 5W


Tel : +44(0)20 8743 8880 Fax : +44(0)20 8740 4200  
 Email : sales@e2s.com Web : www.e2s.com



2

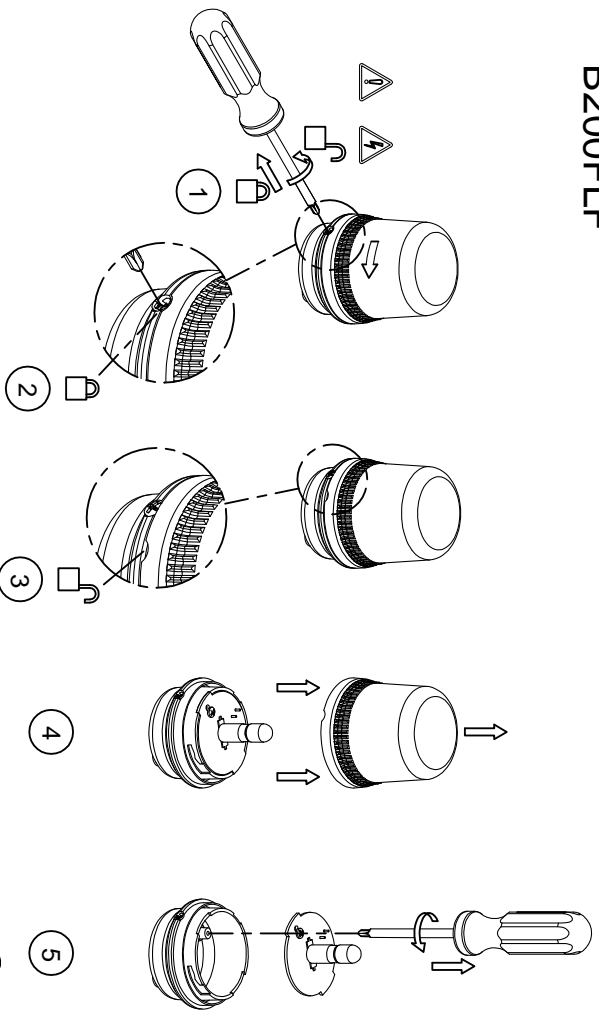
 **ATTENTION:** Installation must be carried out by an electrician in compliance with the latest codes and regulations.

 **ATTENTION:** Disconnect from power source before installation or service to prevent electric shock.

 **ATTENTION:** Lens on unit will be hot allow to cool prior to removal.



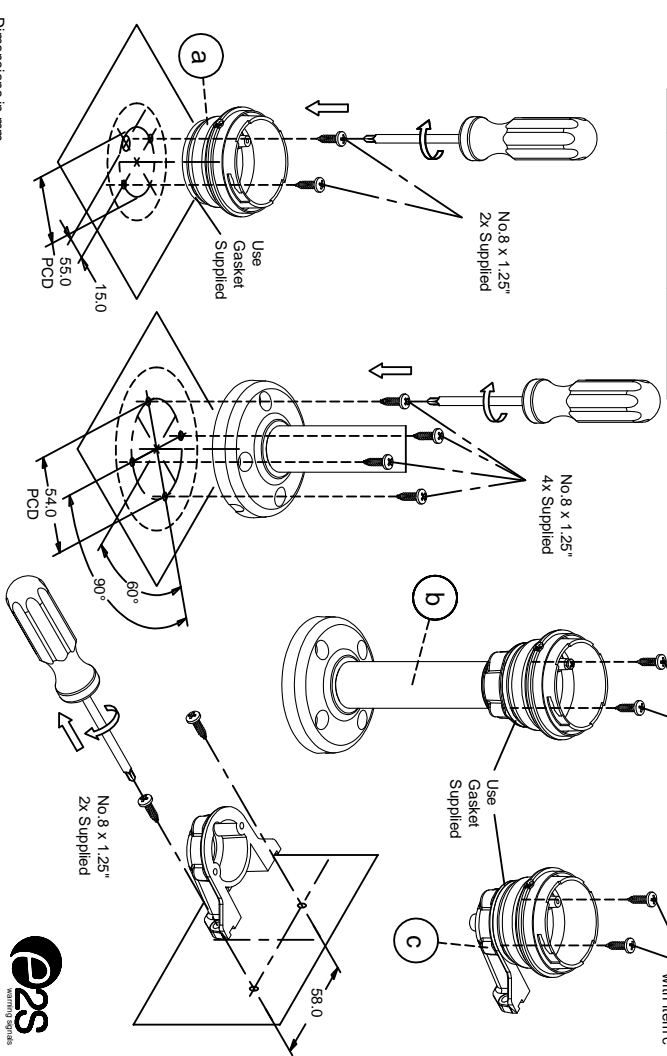
# A SPECIKRA B200FLF



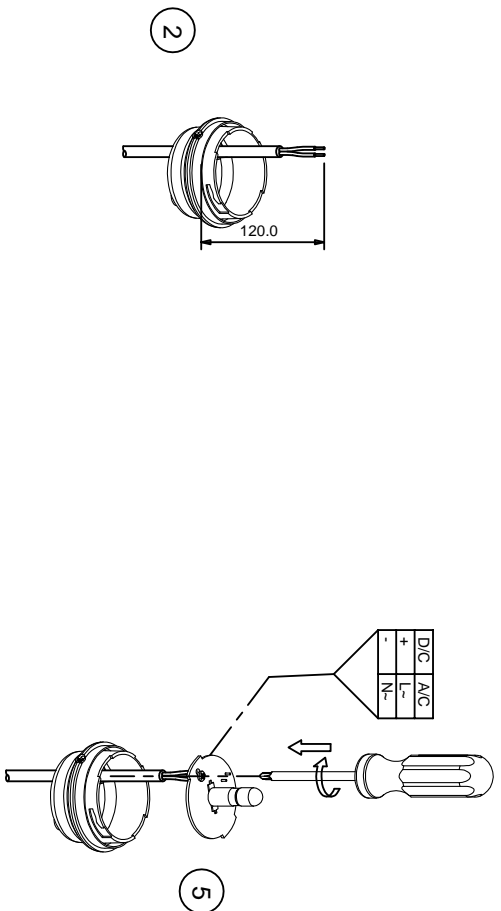
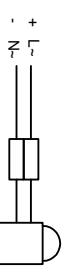
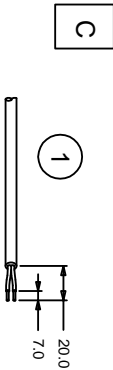
Tel : +44(0)20 8743 8880 Fax : +44(0)20 8740 4200  
 Mail : sales@e2s.com Web : www.e2s.com



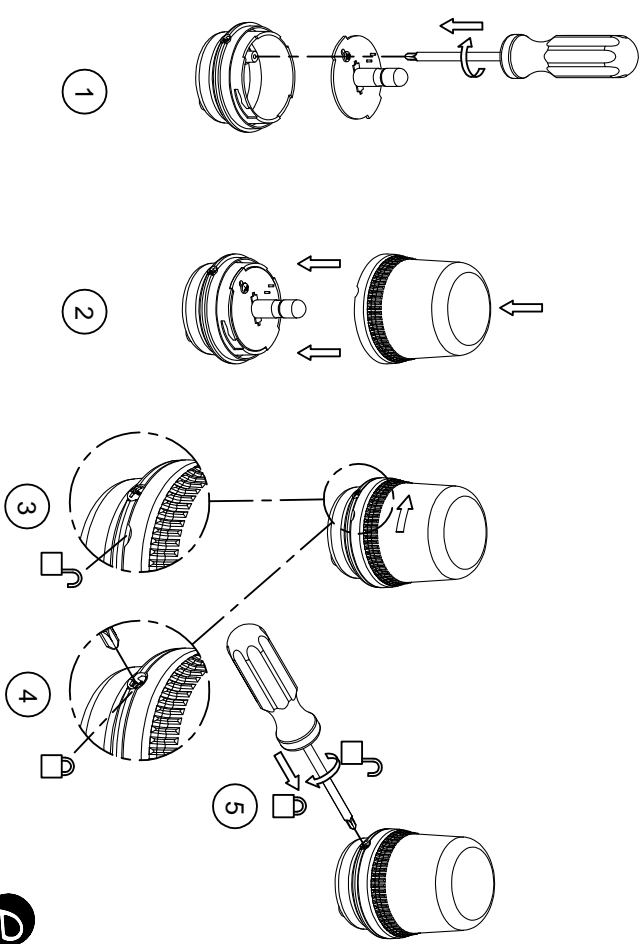
MOUNTING OPTIONS	
a	STANDARD BASE
b	POLE MOUNT
c	90° BRACKET



Dimensions in mm



## D



D104-00-001-15-SHTZJSSUE\_B