

# B300SLF Status Beacon [Filament Lamp]

The B300 series is comprised of a Xenon strobe beacon, permanent filament bulb or halogen beacon, blinking filament bulb or halogen beacon, rotating beacon and a multi-function LED array beacon.

The surface mount base can also be supplied with a right angle bracket or with a pole mounted assembly.

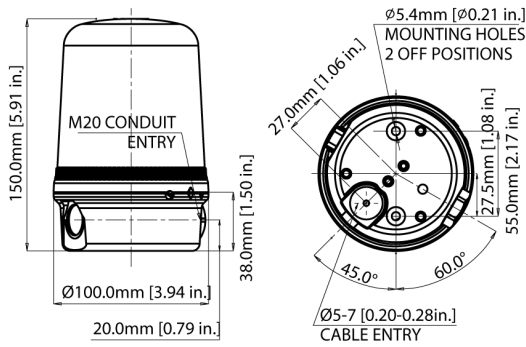
## Features

- Bayonet fixing lens.
- Anti-tamper locking screw.
- Stainless steel fixings.

## Approvals

- GOST-R certificate: POCC GB.JB05.H00144.





## Specification

Light source:	Filament lamp E14
Light output:	25W
Function:	Permanent
Candela:	15 cd* (peak/effective intensity)
Lens colours:	Amber, Blue, Clear, Green, Red & Yellow
Lens type:	Prismatic (standard) or plain
Mounting:	Surface mount (right angle or pole mount accessories available)
Entries:	1 x 5-7mm push through grommet 1 x M20 cable entry
Dimensions:	Ø100 x 150mm
Ingress protection:	IP65
Housing material:	High impact UL94 V0 (f1) PC
Lens material:	High impact UL94 V0 (f1) PC
Terminals:	1.5 mm <sup>2</sup> flying lead assembly
Operating temp:	-25 to +50°C [-13° to +122°F]
Storage temp:	-40 to +70°C [-40° to +158°F]
Relative humidity:	90% at 20°C [68°F]
Weight:	370g/0.81lbs

\*Candela measurements representative of performance with clear lens at optimum voltage

## Part Codes

|\_.\_Version: |\_.\_Wattage |\_.\_Part code: | |12-250V|25W|B300SLF250B/[x] | |x] = Lens colour: |A  
B  
C  
G  
R  
Y|Amber  
Blue  
Clear  
Green  
Red  
Yellow | | \3.NOTE: Filament lamp not included. |