

B200FLF Blinking Beacon

The B200FLF is a 5W filament lamp blinking beacon/indicator. The B200 series is comprised of a Xenon strobe beacon, permanent filament bulb, blinking filament bulb and a permanent LED array beacon version.

The surface mount base can also be supplied with a right angle bracket or with a pole mounted assembly.

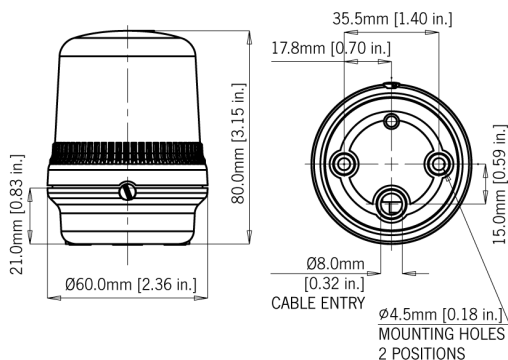
Features

- Bayonet fixing lens.
- Anti-tamper locking screw.
- Stainless steel fixings.

Approvals

- GOST-R certificate: POCC GB.JB05.H00144.





Specification

Light source:	Filament lamp BA9s	
Light output:	5W	
Flash frequency:	1Hz	
Candela:	2 cd* (peak/effective intensity)	
Lens colours:	Amber, Blue, Clear, Green, Red & Yellow	
Lens type:	Prismatic (standard) or plain	
Mounting:	Surface mount (right angle or pole mount accessories available)	
Ingress protection:	IP65	
Housing material:	High impact UL94 V0 (f1) PC	
lens material:	High impact UL94 V0 (f1) PC	
Terminals:	0.5 to 1.5mm ²	
Operating temp:	-25 to +50°C [-13° to +122°F]	-40 to +70°C [-40° to +158°F]
	Storage temp:	40° to +158°F]
Relative humidity:	90% at 20°C [68°F]	
Weight:	78g/1.71lbs	
*Candela measurements representative of performance with clear lens at optimum voltage.		

Part Codes

|_._Version: |_.Wattage: |_.Part code: | | 12V dc | 5W | B200FLF012B/[x] | | 24V dc | 5W | B200FLF024B/[x] | | 48V dc | 5W | B200FLF048B/[x] | | 115V ac | 5W | B200FLF115B/[x] | | 230V ac | 5W | B200FLF230B/[x] | | [x] = Lens colour: | A
 B
 C
 G
 R
 Y|Amber
 Blue
 Clear
 Green
 Red
 Yellow |

Current Consumption

Version:	Current mA:
12V dc	500mA
24V dc	250mA
48V dc	120mA
115V ac 50/60Hz	35mA
230V ac 50/60Hz	25mA