

B350TSB Filament Lamp Traffic Light

The B350 series of traffic light beacons are available in single E14 filament bulb or high output L.E.D array versions. The compact housing is ideal for space constrained applications or for mounting directly onto machinery.

Multiple B350 traffic light beacons can be assembled into a stack utilising the supplied connector and can also be combined with the B300SND alarm horn sounder for a complete audio-visual signalling solution.

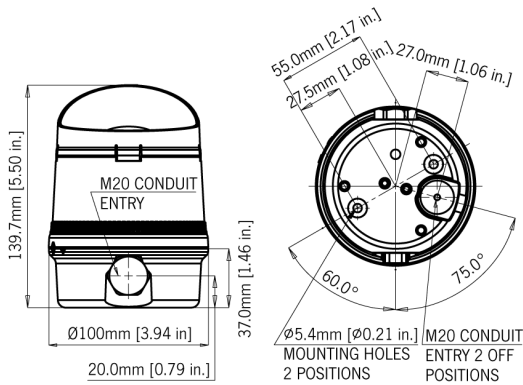
Features

- Bayonet fixing lens.
- Anti-tamper locking screw.
- Stainless steel fixings.

Approvals

- GOST-R certificate: POCC GB.JB05.H00144.





Specification

Light source:	Filament Lamp E14
Light output:	25W
Function:	Permanent
L.E.D. colours:	Amber, Blue, Clear, Green, Red & Yellow
Effective Intensity cd:	21 cd* (peak/effective intensity)
Lens type:	Prismatic
Mounting:	Surface mount (Wall mount bracket available)
Entries:	1 × 5-7mm push through grommet 1 x M20 cable entry
Dimensions:	ø100 x 140mm
Ingress protection:	IP65
Housing material:	High impact UL94 V0 (f1) PC
Terminals:	0.5 to 1.5mm ²
Operating temp:	-25 to +50°C [-13° to +122°F]
Storage temp:	-40 to +70°C [-40° to +158°F]
Relative humidity:	90% at 20°C [68°F]
Weight:	350g/0.77lbs

*Candela measurements representative of performance with clear lens at optimum voltage.

Part Codes

|_._Version: |_.Part code: | |12-250V | B350TSB250B/[x] | | [x] = Lens colour: |A:
Amber
B: Blue
C: Clear
G: Green
R: Red
Y: Yellow | | \2.Note: Filament lamps not included. Must be ordered separately|