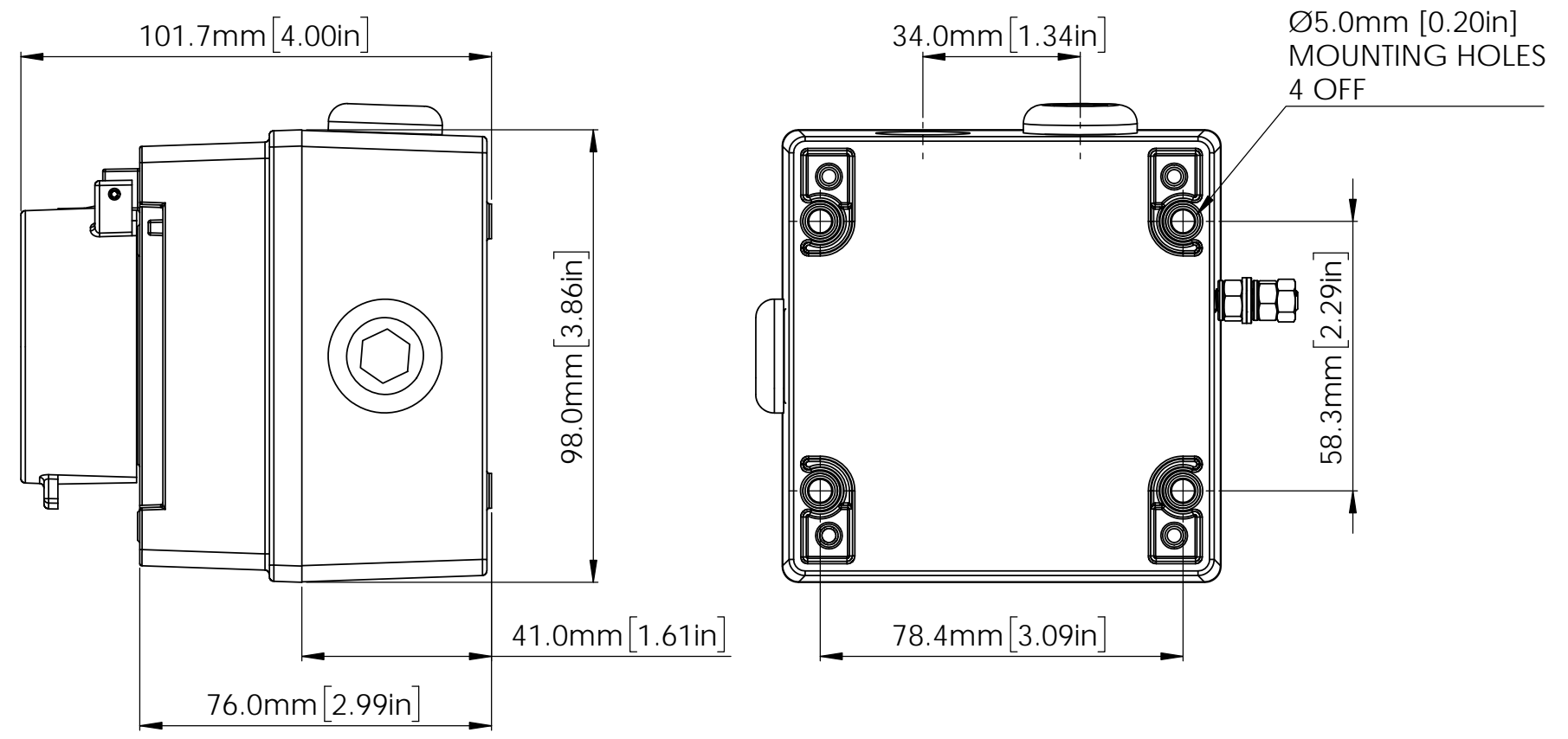
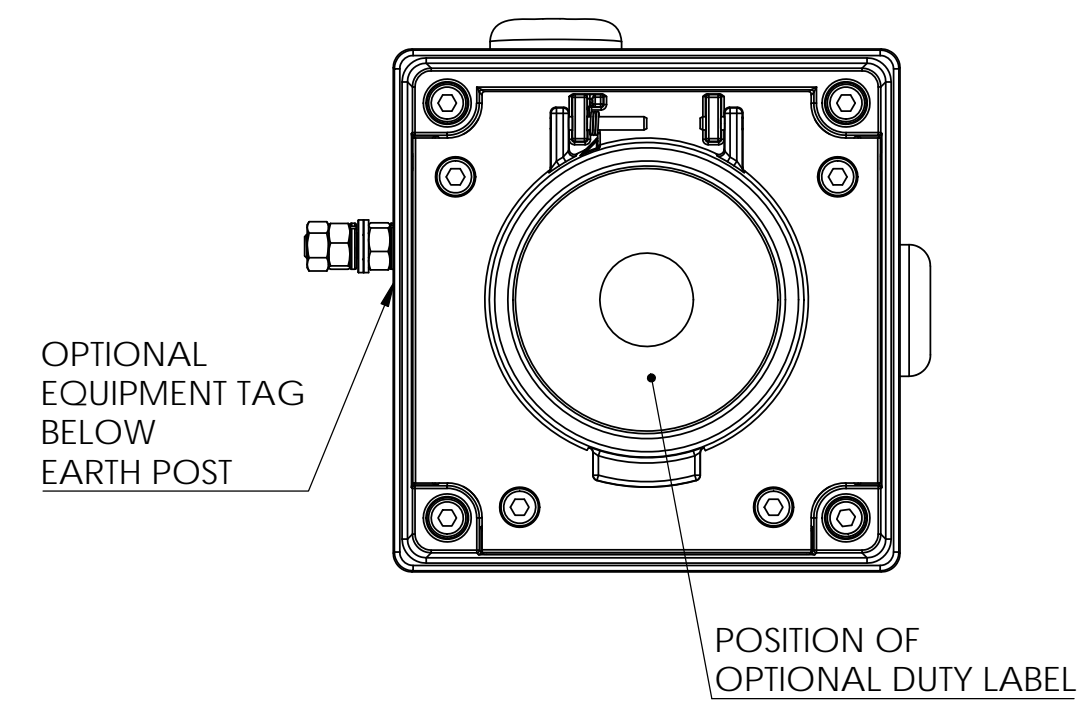
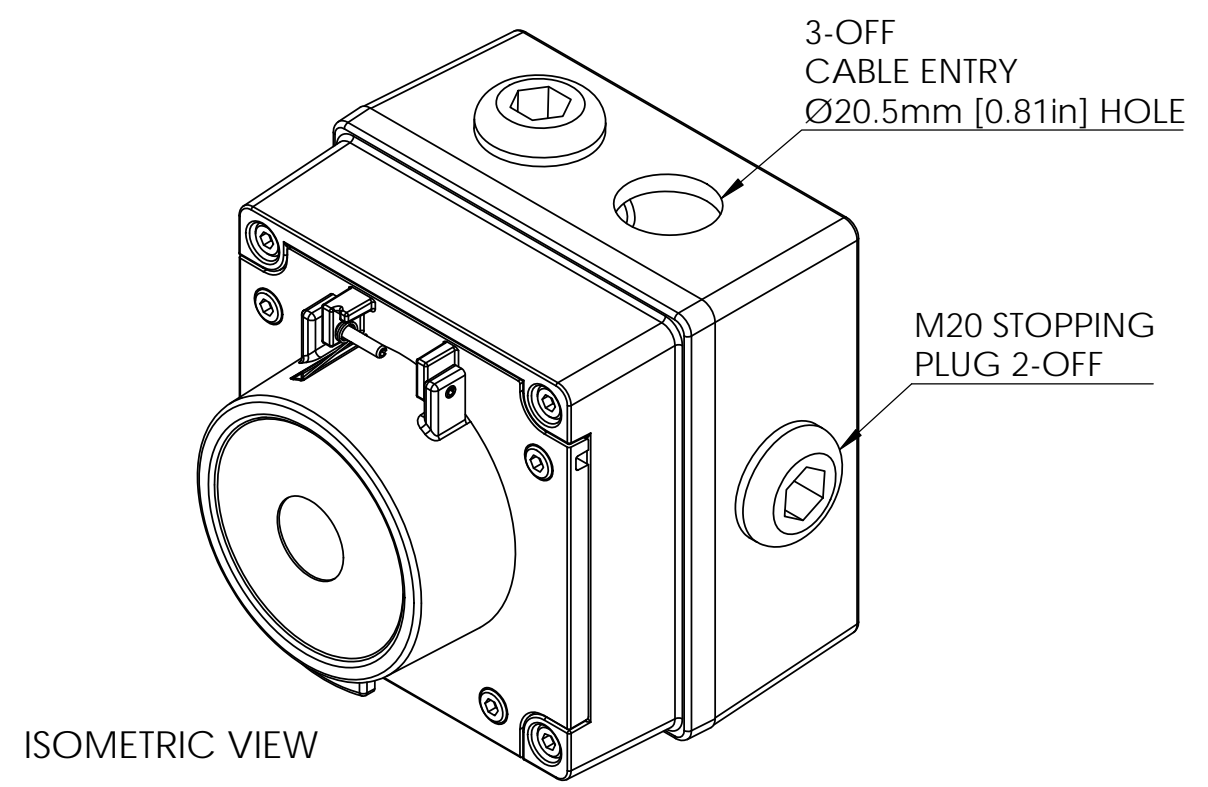
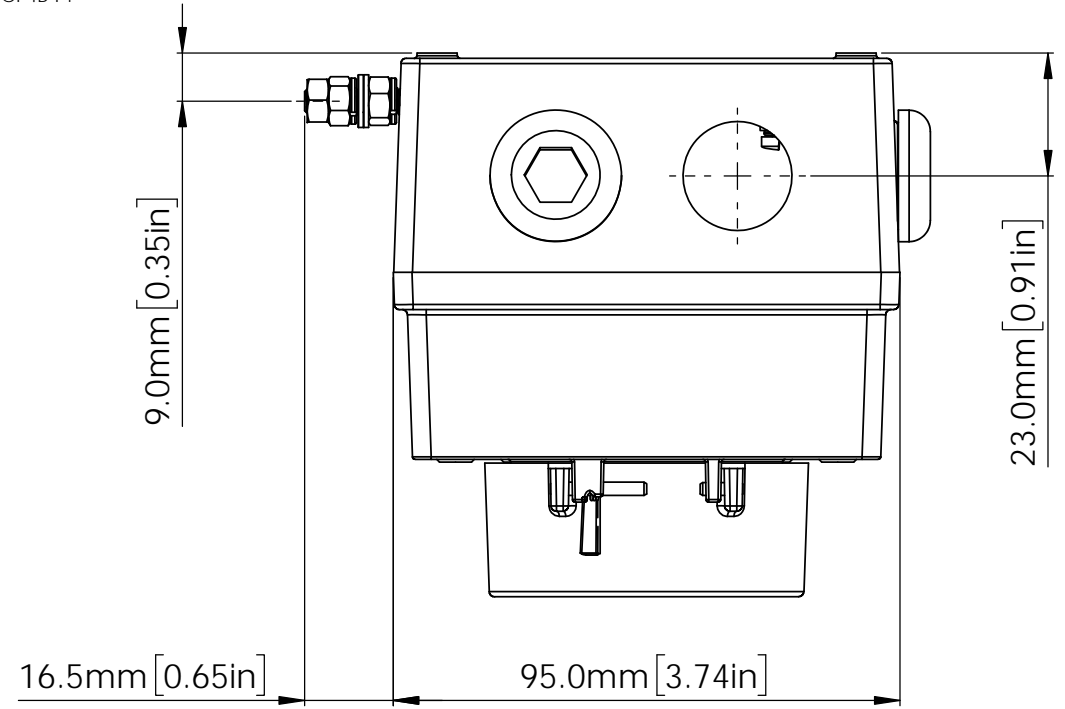


| 1  | 2 | 3                                       | 4              | 5 | 6     | 7 | 8       | 9 | 10                             | 11 | 12 | 13 | 14 |
|--|---|---|----------------|---|-------|---|---------|---|--------------------------------|----|----|----|----|
| E2S PART NO.   |   | DESCRIPTION                             | DATA REFERENCE |   | ISSUE |   | MOD No. |   | REASON - INITIAL - DATE        |    |    |    |    |
| BExCP3A-PB<br>BExCP3B-PB<br>BExCP3C-PB<br>BExCP3D-PB |   | BExCP3-PB PUSH BUTTON MANUAL CALL POINT | 1.24.080       |   | 1     |   |         |   | INTRODUCTION<br>DAH - 31-01-20 |    |    |    |    |
| BExCP3A-PT<br>BExCP3B-PT<br>BExCP3C-PT<br>BExCP3D-PT |   | BExCP3-PT TOOL RESET MANUAL CALL POINT  | 1.24.090       |   |       |   |         |   |                                |    |    |    |    |
| IS-CP4A-PB<br>IS-CP4B-PB                             |   | IS-CP4-PB PUSH BUTTON MANUAL CALL POINT | 1.14.020       |   |       |   |         |   |                                |    |    |    |    |
| IS-CP4A-PT<br>IS-CP4B-PT                             |   | IS-CP4-PT TOOL RESET MANUAL CALL POINT  | 1.14.030       |   |       |   |         |   |                                |    |    |    |    |



|   |           |          |                                      |                      |   |   |   |                                      |               |
|---|-----------|----------|--------------------------------------|----------------------|---|---|---|--------------------------------------|---------------|
| DRAWING TO BS8888:2000<br>GEOMETRIC TOLERANCES TO ISO1101:1983<br>LINEAR DIMENSIONAL TOLS<br>ANGULAR DIMENSIONAL TOLS | DRAWN     | DATE     | SURFACE FINISH<br><b>POWDER COAT</b> | WEIGHT (Kg)          | THIS DRAWING AND ANY INFORMATION OR DESCRIPTIVE<br>MATTER THEREIN IS COMMUNICATED IN CONFIDENCE AND<br>IS THE COPYRIGHT PROPERTY OF EUROPEAN SAFETY<br>SYSTEMS LTD. NEITHER THE WHOLE OR ANY EXTRACT MAY<br>BE DISCLOSED, LOANED, COPIED OR USED FOR<br>MANUFACTURING OR TENDERING PURPOSES WITHOUT THEIR<br>WRITTEN CONSENT. | <br>EUROPEAN SAFETY SYSTEMS LTD<br>IMPRESS HOUSE<br>MANSELL ROAD<br>ACTON<br>LONDON W3 7QH<br>WWW.E2S.COM | ALL DIMENSIONS IN MM<br>IF IN DOUBT, ASK -<br>DO NOT SCALE                        |                                      | <br><b>A2</b> |
|   | CHECKED   | DATE     |                                      |                      |   |   | TITLE BExCP3-PB / BExCP3-PT / IS-CP4-PB /<br>IS-CP4-PT CALL POINT OUTLINE DRAWING |                                      |               |
| STANDARDS<br>BExCP3-PB/PT<br>IS-CP4-PB/PT   | APPROVED  | DATE     | MATERIAL                             | ALTERNATIVE MATERIAL | EUROPEAN SAFETY SYSTEMS LTD.<br>AS PER LATEST DATE OF ISSUE SHOWN ABOVE   | SCALE<br><b>1:1</b>   | SHEET<br><b>1 OF 1</b>  | DRAWING NUMBER<br><b>D150-05-101</b> |               |
|   | R.N.POTTS | 31-01-20 |                                      |                      |   |   |   |                                      |               |
|   | R.N.POTTS | 31-01-20 |                                      |                      |   |   |   |                                      |               |