

GB

Wolf ATEX Torch Range
Operation and Maintenance
Instructions Please retain
- read before use

EU Declaration of Conformity

The Wolf ATEX Torch Range meets all relevant provisions of the 2014/34/EU Explosive Atmospheres (ATEX Equipment) directive by virtue of the issued EU type examination certificate, demonstrating compliance with all relevant harmonised standards and essential health and safety requirements.

Wolf ATEX torches are self contained primary cell powered flashlights/torches, moulded in high impact plastic, approved as Group II Category 2 equipment for use in zone 1 & 2 potentially explosive gases, vapours, mists where the IIB gas group permits, and zone 21 & 22 potentially explosive dusts where approval code temperature class/surface temperature of specific models apply. For detailed information on applicable codes with battery and bulb details, see attached table.

Do not open torch in Ex Areas

Do not mix cells

Do not use rechargeable cells

Damaged equipment should be repaired before further use

Caution - Polycarbonate lens, check Ex atmospheres for compatibility

Notified Body: SGS FIMKO OY, P.O. Box 30 (Särkiniementie 3) 00211 HELSINKI, Finland.

Notified body number: 0598

EU Type Examination Certificate:
BAS02ATEX2220X

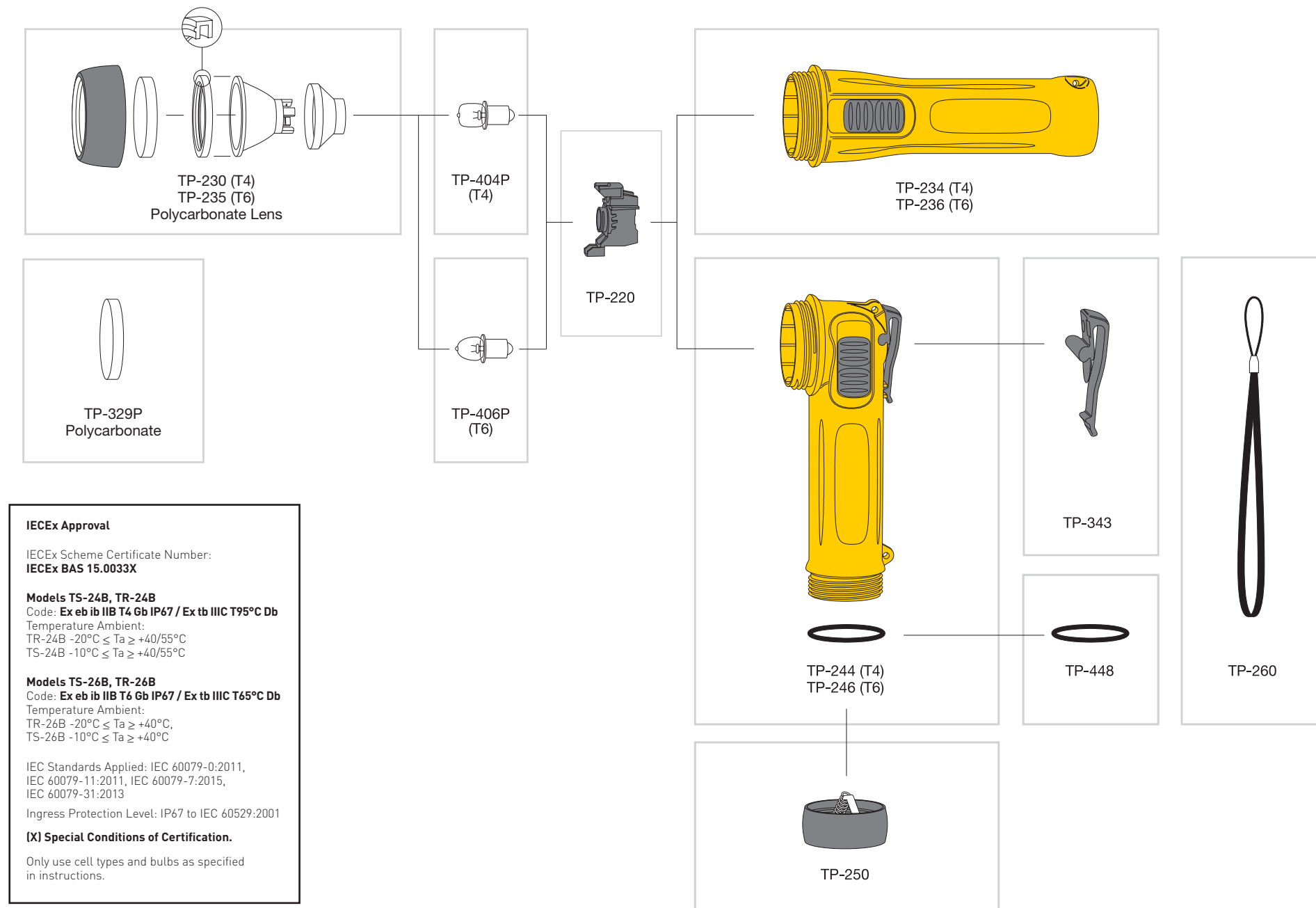
EN60079-0:2012 +A11: 2013, EN60079-7:2015, EN60079-11:2012, EN60079-31:2014

Ingress protection level: **IP67** to EN60529:1992

Alex Jackson - Managing Director
 Wolf Safety Lamp Company Ltd.

Use only genuine Wolf replacements parts.

The Wolf Safety Lamp Co. Ltd has a policy of continuous product improvement. Changes in design details may be made without prior notice.

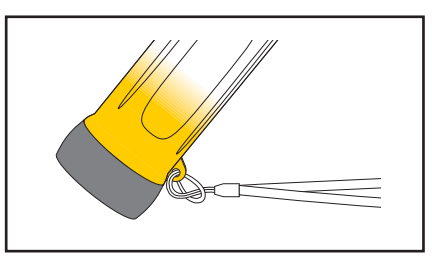
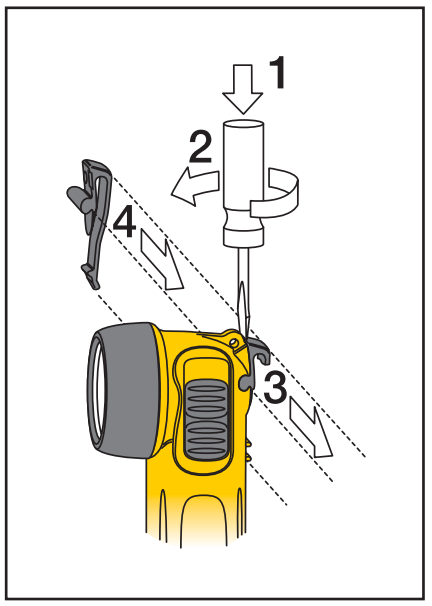
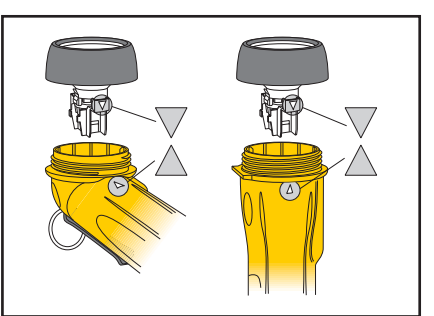
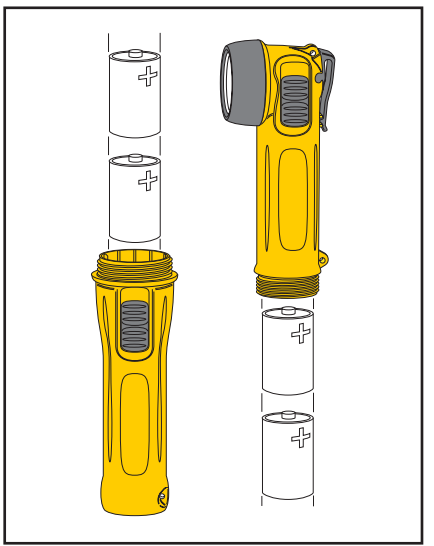
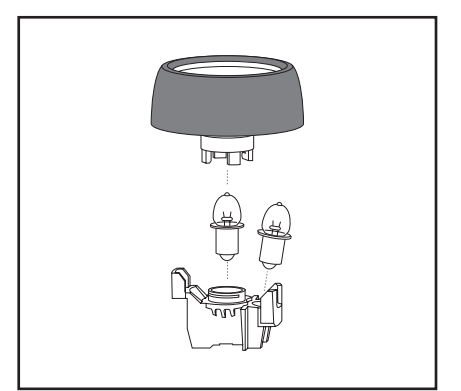
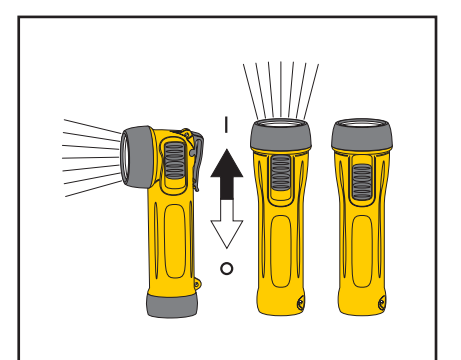
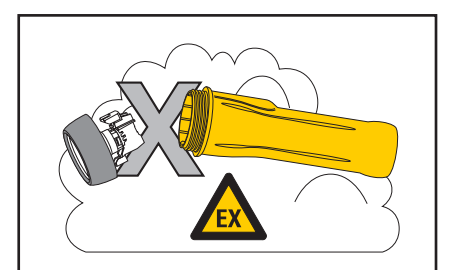
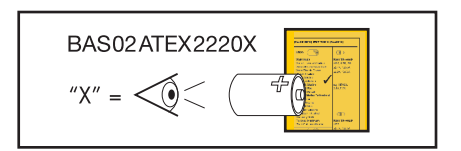


IECEx Approval
 IECEx Scheme Certificate Number:
IECEx BAS 15.0033X
Models TS-24B, TR-24B
 Code: **Ex eb ib IIB T4 Gb IP67 / Ex tb IIIC T95°C Db**
 Temperature Ambient:
 TR-24B -20°C ≤ Ta ≤ +40/55°C
 TS-24B -10°C ≤ Ta ≤ +40/55°C
Models TS-26B, TR-26B
 Code: **Ex eb ib IIB T6 Gb IP67 / Ex tb IIIC T65°C Db**
 Temperature Ambient:
 TR-26B -20°C ≤ Ta ≤ +40°C,
 TS-26B -10°C ≤ Ta ≤ +40°C
 IEC Standards Applied: IEC 60079-0:2011,
 IEC 60079-11:2011, IEC 60079-7:2015,
 IEC 60079-31:2013
 Ingress Protection Level: IP67 to IEC 60529:2001
(X) Special Conditions of Certification.
 Only use cell types and bulbs as specified in instructions.

'X' Condition: Only the Batteries listed below may be used

TR-24B II 2GD Ex eb ib IIB T4 Gb Ex tb IIIC T95°C Db (-20°C ≤ Ta ≤ +40/55°C) TS-24B II 2GD Ex eb ib IIB T4 Gb Ex tb IIIC T95°C Db (-10°C ≤ Ta ≤ +40/55°C)	R20 ✓	LR20 ✓	Wolf TP-404P HPX, KPR, PR: ≥2.4V, ≤0.93A ≥2.2V, ≤0.85A e.g. HPX23, 2.4V, 0.7A
G (Gas): T4 D (Dust): T95°C TR-24B -20°C ≤ Ta ≤ +40°C TS-24B -10°C ≤ Ta ≤ +40°C	R20 ✓	LR20 ✓	Wolf H-20 Varta Universal Alkaline Varta Alkaline Value Pack Varta Electric Power Kodak Alkaline Exide Alkaline Cegasa Alkaline Duracell Alkaline Industrial by Duracell Duracell Plus Duracell Procell Hi-Tech Alkaline Professional RS Alkaline Sanyo Alkaline Duracell Ultra Energizer Alkaline Energizer Industrial Eveready Gold Rayovac Maximum Pifco Optimax Alkaline
G (Gas): T4 (Ta=55°C) D (Dust): T95°C TR-24B -20°C ≤ Ta ≤ +55°C TS-24B -10°C ≤ Ta ≤ +55°C	R20 ✓	LR20 ✓	Wolf H-20 Duracell Ultra Energizer Alkaline Energizer Industrial Eveready Gold

TR-26B II 2GD Ex eb ib IIB T6 Gb Ex tb IIIC T65°C Db (-20°C ≤ Ta ≤ +40°C) TS-26B II 2GD Ex eb ib IIB T6 Gb Ex tb IIIC T65°C Db (-10°C ≤ Ta ≤ +40°C)	R20 ✓	LR20 ✗	Wolf TP-406P PR: ≥2.4V, ≤0.5A e.g. PR2, 2.4V, 0.5A
G (Gas): T6 D (Dust): T65°C TR-26B -20°C ≤ Ta ≤ +40°C TS-26B -10°C ≤ Ta ≤ +40°C	Wolf T-20 Philips Longlife GP Greencell		



Spare Parts	Model			
	T4		T6	
	TR-24B	TS-24B	TR-26B	TS-26B
TP-230	T4 Lens Ring Assembly (Polycarbonate Lens)	✓	✓	✓
TP-235	T6 Lens Ring Assembly (Polycarbonate Lens)	✓	✓	✓
TP-404P	T4 Bulb (Pack of 2) Xenon	✓	✓	✓
TP-406P	T6 Bulb (Pack of 2) Vacuum	✓	✓	✓
TP-220	Bulbholder Assembly	✓	✓	✓
TP-234	T4 Straight Torch Body Assembly	✓	✓	✓
TP-236	T6 Straight Torch Body Assembly	✓	✓	✓
TP-244	T4 Right Angle Torch Body Assembly	✓	✓	✓
TP-246	T6 Right Angle Torch Body Assembly	✓	✓	✓
TP-343	Clip Moulding	✓	✓	✓
TP-448	Base 'O' Seal	✓	✓	✓
TP-250	End Cap Assembly	✓	✓	✓
TP-260	Wrist Strap	✓	✓	✓
T-20	R20 Cell	✓	✓	✓
H-20	LR20 Cell	✓	✓	✓
TP-329P	Polycarbonate Lens	✓	✓	✓
	*Glass Lens options available on request.			

Wolf

WOLF ATEX SAFETY TORCH

ATEX approved for explosive gas and dust atmospheres

TS-24B & TR-24B
 TS-26B & TR-26B

Operation and Maintenance Instructions

CE, Ex, IEC, TECEx

